



**SIZE :**

60x60x25mm (2.36"x2.36"x0.98")

**CONSTRUCTION :**

Glass fiber reinforced plastic:

Impeller and housing PBT are UL 94V-0 rating

**OPERATING TEMPERATURE :**

Ball bearing - 30°C to + 75°C

Sleeve bearing - 10°C to + 70°C

**INSULATION RESISTANCE :**

10meg Ohm min. at 500 VDC

(between frame and terminal)

**DIELECTRIC STRENGTH :**

5mA max. at 500 VAC 60Hz one minute

(between frame and terminal)

**FUNCTION :**

frequency generator or rotation detection signal option

**WEIGHT :**

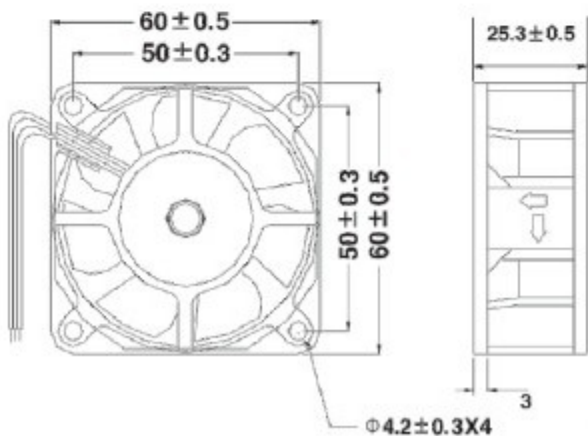
75 grams

Specifications are subject to change without notice

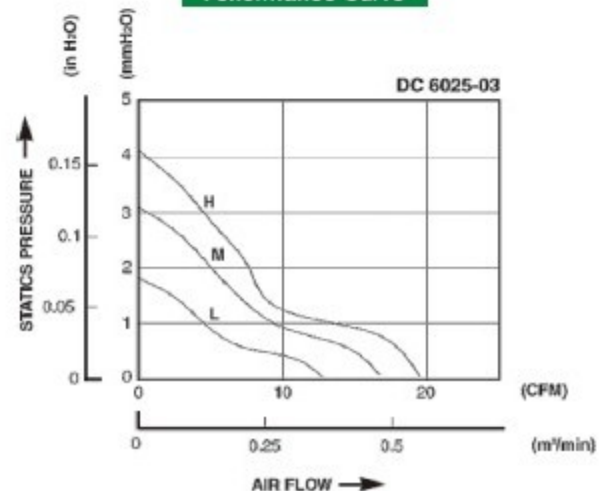
**Specifications**

MODEL NO.	BEARING	RATED VOLTAGE	OPERATING VOLTAGE RANGE	RATED CURRENT	RATED INPUT POWER	SPEED R.P.M.	MAX. AIR FLOW		MAX. AIR PRESSURE		NOISE dB-A
		VDC	V	A	W		m <sup>3</sup> /min	CFM	mmH <sub>2</sub> O	IN H <sub>2</sub> O	
BP602512L-03	Ball	12	10.2-13.8	0.09	1.08	2600	0.4	13.5	1.9	0.1	25.7
SP602512L-03	Sleeve										
BP602512M-03	Ball	12	10.2-13.8	0.11	1.32	3200	0.5	16.5	2.9	0.1	26.5
SP602512M-03	Sleeve										
BP602512H-03	Ball	12	10.2-13.8	0.13	1.56	3800	0.6	19.5	3.8	0.2	29.7
SP602512H-03	Sleeve										
BP602512HL-03	Ball	12	10.2-13.8	0.23	2.76	5000	0.7	25.1	6.1	0.2	36.6
SP602512HL-03	Sleeve										
BP602512HM-03	Ball	12	10.2-13.8	0.34	4.08	6000	0.9	31.0	9.3	0.4	41.1
SP602512HM-03	Sleeve										
BP602512HH-03	Ball	12	10.2-13.8	0.39	4.68	7000	1.1	37.1	11.7	0.5	47.3
SP602512HH-03	Sleeve										

**Dimensions (mm)**



**Performance Curve**



# Mouser Electronics

Authorized Distributor

Click to View Pricing, Inventory, Delivery & Lifecycle Information:

[Bi-Sonic:](#)

[BP602512H-03 W-G](#) [BP602512L-03 W-G](#) [BP602512M-03 W-G](#) [BP602524H-03 W-G](#) [BP602524L-03 W-G](#)  
[BP602524M-03](#)