



SIZE :

40x40x10mm (1.57"x1.57"x0.39")

CONSTRUCTION :

Glass fiber reinforced plastic:

Impeller and housing PBT are UL 94V-0 rating

OPERATING TEMPERATURE :

Ball bearing - 30°C to +75°C

Sleeve bearing - 10°C to +70°C

INSULATION RESISTANCE :

10meg Ohm min, at 500 VDC

(between frame and terminal)

DIELECTRIC STRENGTH :

5mA max, at 500 VAC 60Hz one minute

(between frame and terminal)

FUNCTION :

frequency generator signal option

WEIGHT :

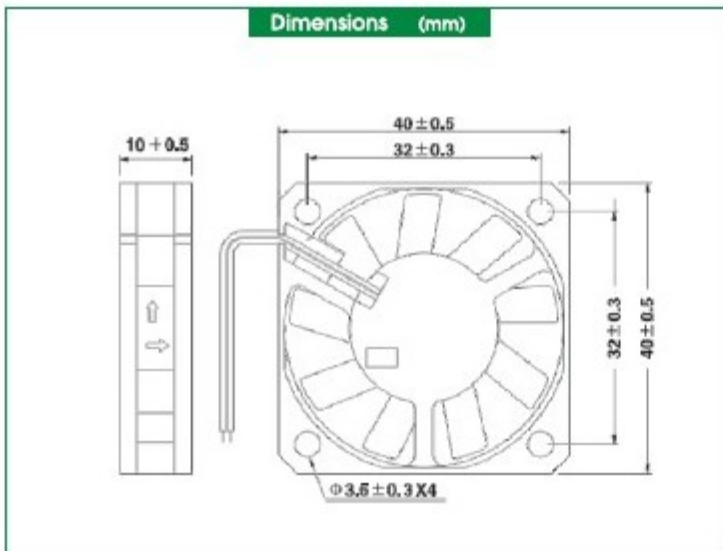
18 grams

Specifications

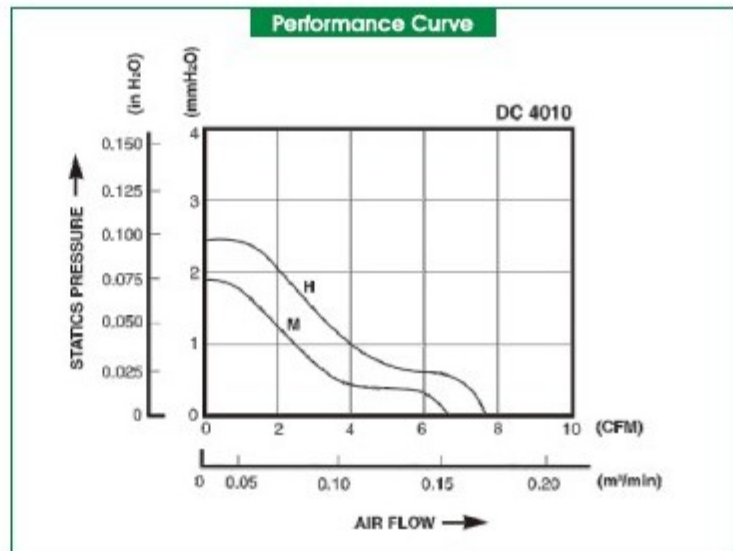
Specifications are subject to change without notice

MODEL NO.	BEARING	RATED VOLTAGE	OPERATING VOLTAGE RANGE	RATED CURRENT	RATED INPUT POWER	SPEED R.P.M.	MAX. AIR FLOW		MAX. AIR PRESSURE		NOISE dB-A
		VDC	V	A	W		m ³ /min	CFM	mmH ₂ O	IN H ₂ O	
BP401005M	Ball	5	4.5-5.7	0.18	0.90	5000	0.2	5.2	2.0	0.1	24.5
SP401005M	Sleeve										
BP401005H	Ball	5	4.5-5.7	0.23	1.15	6500	0.2	7.0	3.4	0.1	29.0
SP401005H	Sleeve										
BP401012M	Ball	12	10.2-13.8	0.09	1.08	5000	0.2	5.2	2.0	0.1	24.5
SP401012M	Sleeve										
BP401012H	Ball	12	10.2-13.8	0.13	1.56	6500	0.2	7.0	3.4	0.1	29.0
SP401012H	Sleeve										
BP401024H	Ball	24	20.4-27.6	0.11	2.64	6500	0.2	7.0	3.4	0.1	29.0
SP401024H	Sleeve										

Dimensions (mm)



Performance Curve



Mouser Electronics

Authorized Distributor

Click to View Pricing, Inventory, Delivery & Lifecycle Information:

[Bi-Sonic:](#)

[BP401012M](#)