



- Impeller are UL 94V-0 rating
- Impedance protected
- Leader wire or Terminal is available

OPERATING TEMPERATURE :

- Ball bearing - 30°C to +75°C
- Sleeve bearing - 10°C to +70°C

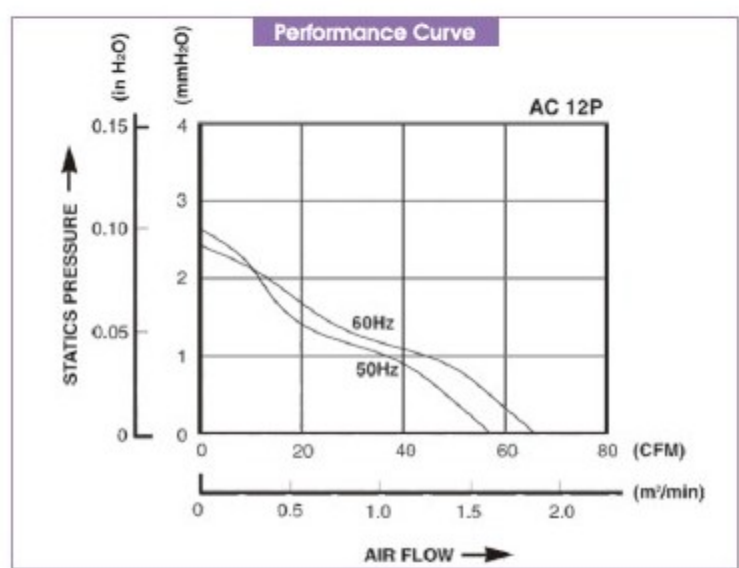
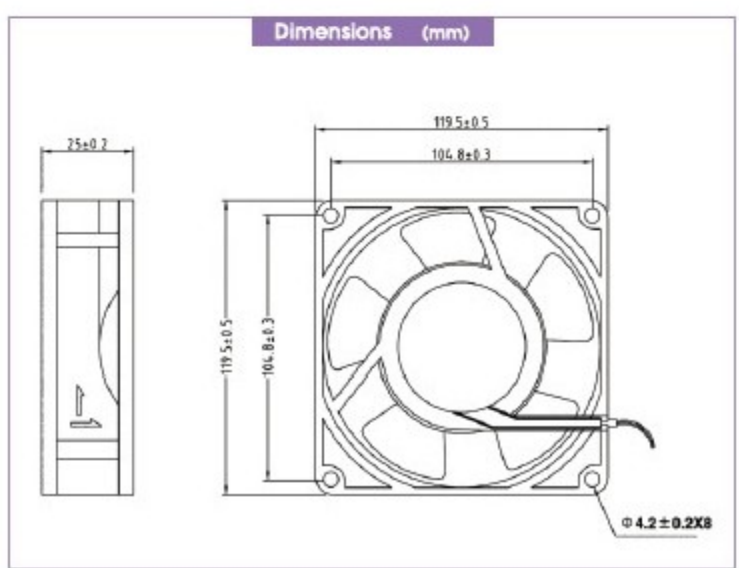
WEIGHT :

330 grams

Specifications

Specifications are subject to change without notice

MODEL NO.	BEARING	RATED VOLTAGE	FREQUENCY	MAX. RATED CURRENT	MAX. INPUT POWER	SPEED	MAX. AIR FLOW		MAX. AIR PRESSURE		NOISE
		VAC	Hz	mA	W	R.P.M.	m ³ /min	CFM	mmH ₂ O	IN H ₂ O	
12P-115LB	Ball	115	50/60	150/130	14/13	1600±15% /2000	1.3/1.5	46.3/52.7	1.9/2.1	0.1/0.1	29/34
12P-115LS	Sleeve										
12P-115HB	Ball	115	50/60	170/150	16/14	2000/2400	1.6/1.7	55.0/60.4	2.7/2.5	0.1/0.1	39/42
12P-115HS	Sleeve										
12P-230LB	Ball	230	50/60	90/80	18/16	1600/2000	1.3/1.5	46.3/52.7	1.9/2.1	0.1/0.1	29/34
12P-230LS	Sleeve										
12P-230HB	Ball	230	50/60	95/85	18/16	2200/2600	1.6/1.7	55.0/60.4	2.7/2.5	0.1/0.1	39/42
12P-230HS	Sleeve										



Mouser Electronics

Authorized Distributor

Click to View Pricing, Inventory, Delivery & Lifecycle Information:

[Bi-Sonic:](#)

[12P-115LB](#) [12P-115LS](#) [12P-115HB](#) [12P-115HS](#) [12P-230LB](#) [12P-230LS](#) [12P-230HB](#) [12P-230HS](#)